



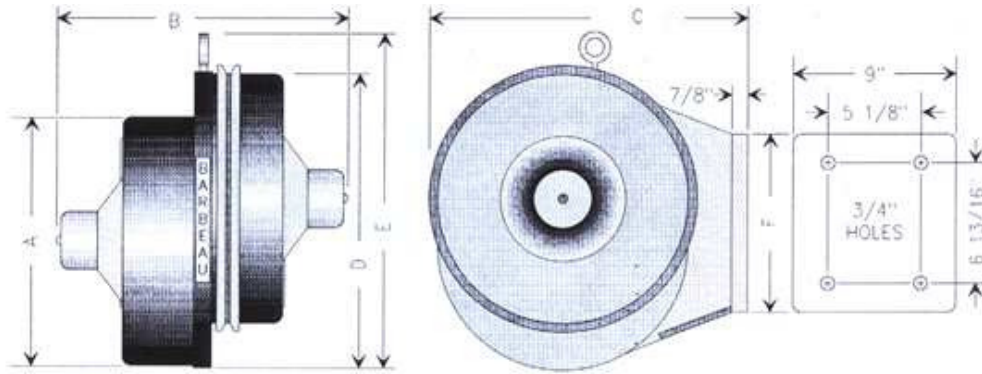
Barbeau Drives



Proven to run for 20 years without maintenance
Precision engineered, guaranteed two years
Dependable Performance
Three models available
Parts and service readily available one day service

[Link to Barbeau Drive Parts](#)

Features	
Completely Enclosed and Sealed:	Unit and case in one integral housing.
Extra Large Frictionless Bearings:	Sealed casing requires minimal lubrication and maintenance.
Permanent Alignment:	Solid, flat base for greater contact area. Minimal possibility of misalignment due to mounting, stress and operational wear changes. Design utilizing an efficient rotary oscillating motion.
Hardened and Precision Cut Gears:	Weight carrying units assembled with taper to assure rigidity.
Interchangeable Parts:	Replacements easily done on site with in-house staff. Minimal loss of operating time or transportation cost. All parts available from stock.
Single V-Belt Drive:	Eliminates belt slippage, requires less tension. Direct drive to weight-carrying wheel reduces power requirements.
Guaranteed for Two Years:	Entire operating unit guaranteed for two years against failure due to wear when operated under recommended conditions.



Model	A	B	C	D	E	F	Weights*	Drive**
B	11"	14 1/4"	13 1/2"	12 15/16"	15 3/16"	9"	10-28 lbs.	11 1/2" P.D.
A	14"	16"	17 3/4"	16 9/16"	18 3/4"	10"	28-38 lbs.	14 1/4" P.D.
AA	16"	6 1/4"	18 3/4"	18 9/16"	20 3/4"	10"	38-46 lbs.	16 1/4" P.D.

*Weights are supplied in two pound increments.

**Grooved driven wheel is 'B' belt.