

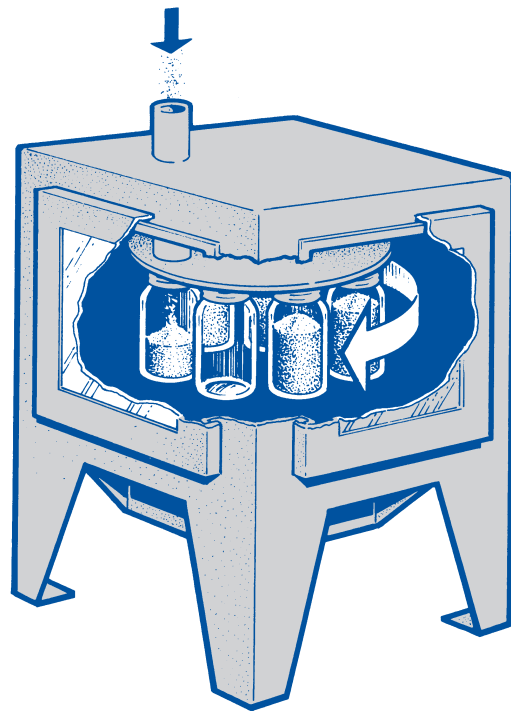
RECTANGULAR STYLE — PUTS COLLECTION BAGS AND CONTROLS UNDER LOCK KEY.



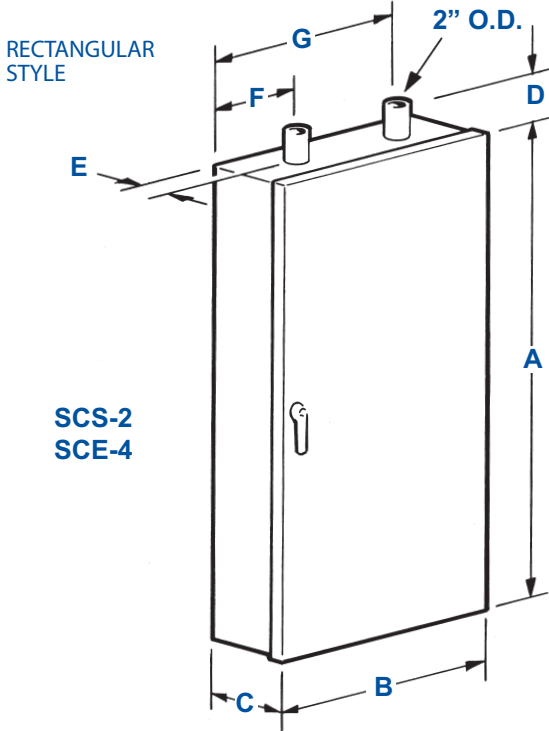
HOPPER STYLE — INCLUDES HINGED PLEXIGLAS DOOR AND A SLIDING MANUAL GATE.

SCS

An automatic sample collection system for receiving and storing multiple samples. Excellent system for acquiring history samples. Designed for virtually unattended service. An optional adjustable counter (or timer) is pre-set to determine the number of samples (or duration) per container. When the count or time is completed, the system motor automatically positions the sealed container for the next filling cycle. Controller includes an over-ride feature which allows manual operation if desired. Typical models are 8, 16, 24 and 48 position with 2-quart containers or sample bags. Container size, type and quantity can be varied as required by application.



AUTOMATED ROTATING INDEXING CABINET AND JAR COLLECTION.

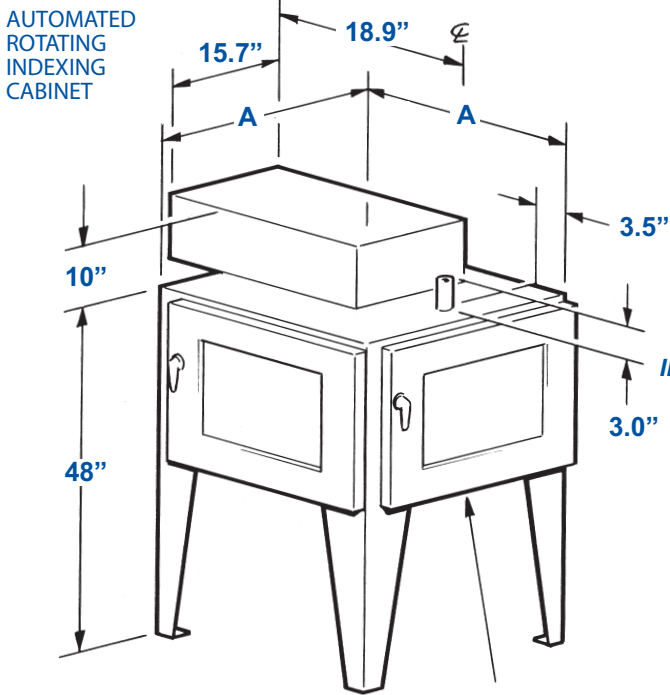
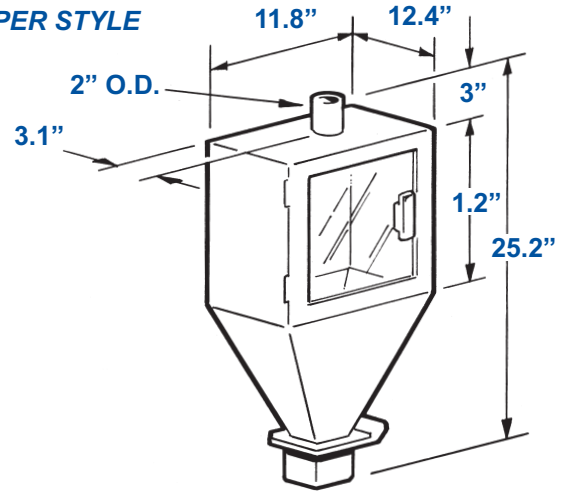


RECTANGULAR STYLE

MODEL	A	B	C	D	E	F	G	WEIGHT
SC1-2	24.25	22.0	12.13	2.0	6.0	7.13	14.88	50 LBS.
SC1-4	48.00	18.0	14.00	2.0	2.5	5.00	13.00	105 LBS.

(INCHES)

HOPPER STYLE



AUTOMATED ROTATING INDEXING CABINET

"A" DIMENSION SHOWN IN CHART BELOW

CONTAINER SIZE	NO. OF STATIONS											
	4	6	8	10	12	14	16	18	20	22	24	26
1 PINT	18	18	18	26	26	26	34	34	34	42	42	42
1 QUART	18	18	26	26	26	34	34	42	42	42	X	X
2 QUART	18	26	26	26	34	34	42	42	X	X	X	X
1 GALLON	18	26	26	34	34	42	42	X	X	X	X	X

SAMPLE JARS
(SPECIFY NUMBER OF STATIONS AND JAR SIZE)

