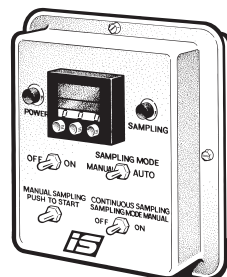


## GRES

An industrial cross cut sampler for inclined spouts, which can sample free flowing materials, including granules, powders and pellets. Design requires very little space and collects representative samples from sloped gravity chute areas. When activated, a sample cutter pivots through the product stream, sweeping a complete 360-degree arc, collecting a true cross cut sample. Sample cutter is parked away from the stream of material and is sealed when not sampling. Standard construction is carbon steel. Other construction materials, including stainless steel, are available as required by the application.

## CONTROLS

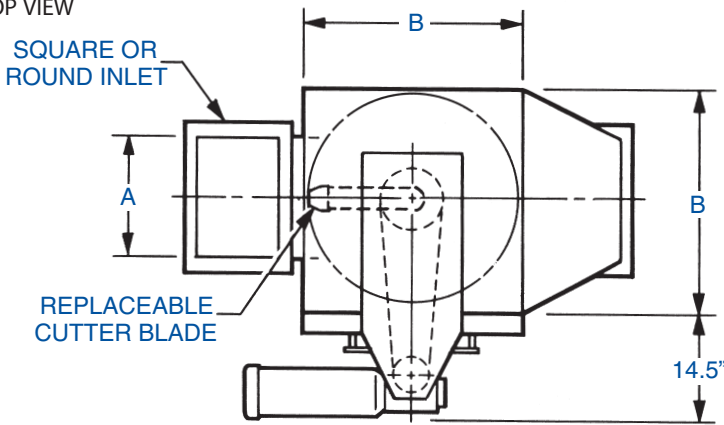
InterSystems control packages are available to suit any sampling control application. The standard units allow manual and automatic sampling modes and contain all the essential components to adjust and control the timing of sampling operations. These units can handle a wide variety of voltages and frequencies and can be constructed for most environments.



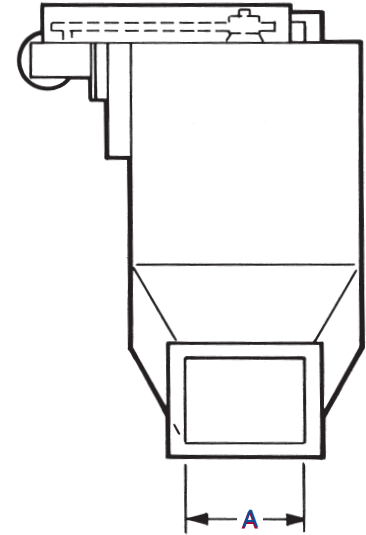
## POWER REQUIREMENTS

Electric: 110V single phase control.  
1 phase or 3 phase motors available.

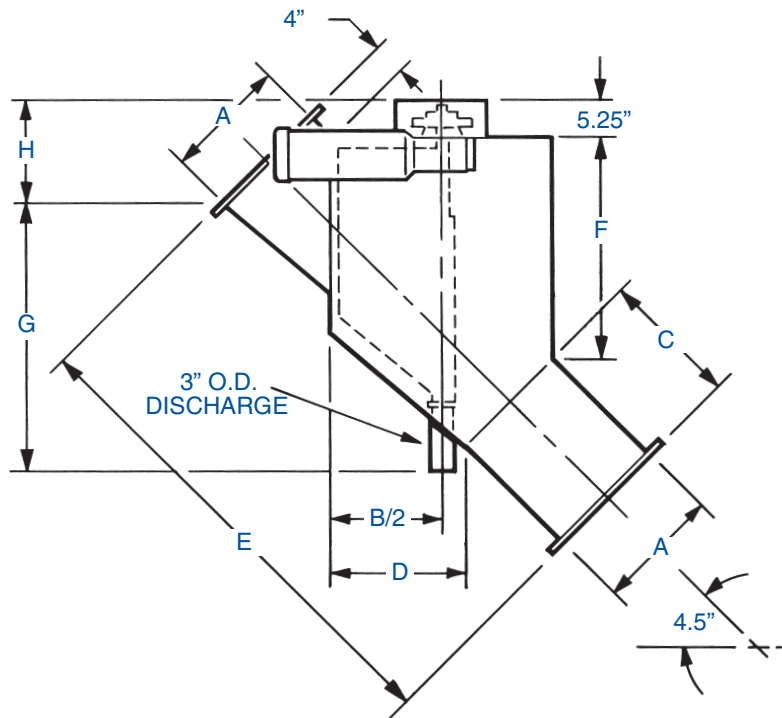
TOP VIEW



END VIEW



SIDE VIEW



SAMPLER SIZE	A (MAX)	B	C	D	E	F	G	H	MOTOR SIZE	APPROX. WEIGHT
GRES-6	6.0	11.57	9.93	7.33	30.29	11.57	17.10	6.66	1/2 HP	200
GRES-10	10.0	17.28	12.99	10.21	41.42	17.28	22.79	9.49	1/2 HP	275
GRES-14	14.0	22.99	16.04	13.09	52.56	22.99	28.48	12.32	3/4 HP	375
GRES-18	18.0	28.71	19.09	15.98	63.69	28.71	34.17	15.15	3/4 HP	525
GRES-22	22.0	34.42	22.15	18.86	74.82	34.42	39.86	17.98	3/4 HP	725
GRES-26	26.0	40.13	25.20	21.75	85.96	40.13	45.55	20.81	1 HP	1250
GRES-30	30.0	45.84	28.26	24.63	97.09	45.84	51.24	23.63	1 HP	1550

US MEASURES (INCHES, POUNDS OR GAUGES)



Intersystems  
 9575 N 109th Ave  
 Omaha, NE USA 68142  
 Telephone: 214.495.9713  
 Fax 214.495.9741