

Quick-disconnect Tote Mixer

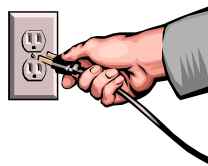


Features and Benefits

- Quick connect coupling minimizes pinch points
- Single drive can service multiple vessels
- Retrofit of components to existing competitive mounting configurations
- Drop collar design allows shaft and impeller assembly to travel with tote
- Drive can be removed without depressurization
- Three or six ring stuffing box designs available
- Clockwise or counter-clockwise rotation
- Drive equipped for electric or air motor

Drive Removes in Three Simple Steps

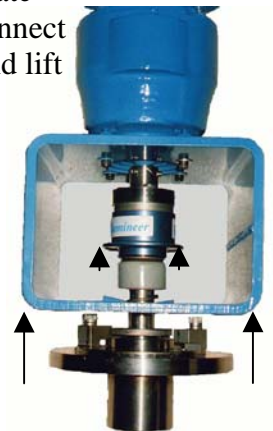
1 - Disconnect
power source



2 - Rotate drive to
disengage from base



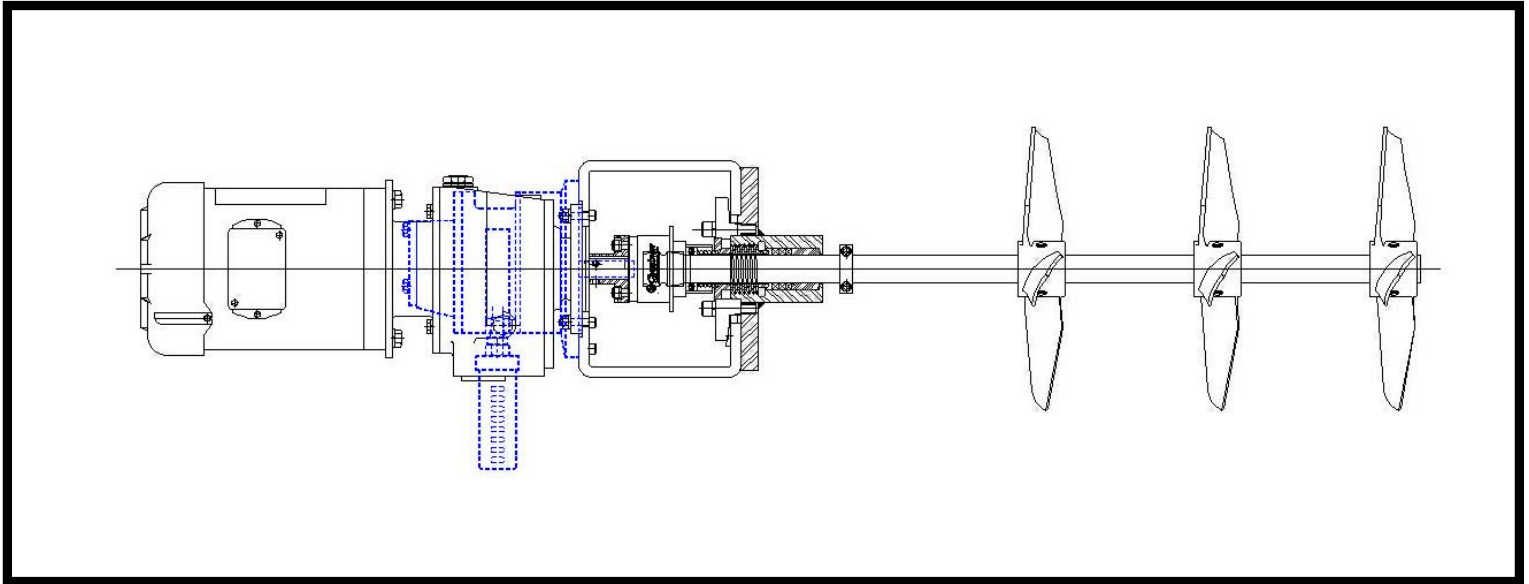
3 - Activate
quick-disconnect
coupling and lift
drive



 **Chemineer**
Reliability & Technology in Mixing

Your Local Contact:

Quick-dis Connect Tote Mixer



Features and Options

Description	Options
Drive	
Motor	Air or Electric
Gear Reducer	Optional
Pedestal	Painted Steel
Quick-Connect Coupling	316SS Standard
Stuffing Box	3-ring Stuffing Box
Wetted Parts	
Materials of Construction	316SS Standard
Shaft	1" Diameter up to 48" Extension
Impellers	SC-3 or JF-3
Polish	Non-adhesion or Pharmaceutical

Your Local Contact:

