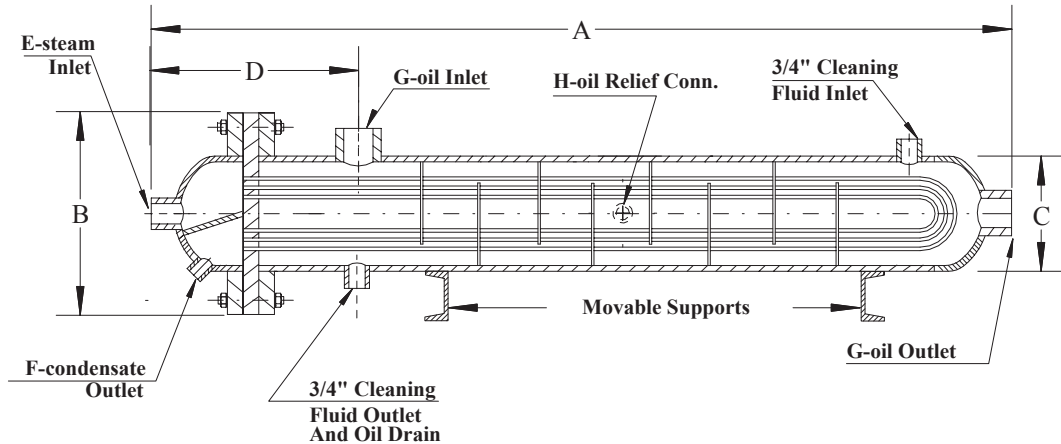


Tubular Type Fuel Oil Heater Series "Para-Coil "

PARA-COIL Tubular Type Fuel Oil Heaters are designed to replace the heaters manufactured by Davis Engineering Corporation and Old Dominion Iron & Steel Corporation which went out of business years ago. Still, many heaters are in service and in need to be replaced. The PARA-COIL heaters have the same dimensions and connections as the original heaters. As a result, there is no need in re-piping of the system. The heat transfer area is created by small diameter plural U-tubes, providing efficient heat transfer. The 316L stainless steel tubes are seal welded to the tubesheet with 100% joint efficiency.



Model	Heater Size	Overall Dimensions				Connection Sizes				Approx. Wt. Lbs.
		A	B	C	D	E	F	G	H	
A	- 36	3' 8"	9"	4"	9-1/4"	3/4"	1/2"	1-1/4"	1/2"	105
	- 48	4' 8"	9"	4"	9-1/4"	3/4"	1/2"	1-1/4"	1/2"	125
	- 60	5' 8"	9"	4"	9-1/4"	3/4"	1/2"	1-1/4"	1/2"	145
	- 72	6' 8"	9"	4"	9-1/4"	3/4"	1/2"	1-1/4"	1/2"	165
	- 84	7' 8"	9"	4"	9-1/4"	3/4"	1/2"	1-1/4"	1/2"	185
- 96	8' 8"	9"	4"	9-1/4"	3/4"	1/2"	1-1/4"	1/2"	205	
C	- 36	3' 8"	11"	5-9/16"	9-1/2"	1"	1/2"	1-1/2"	1/2"	195
	- 48	4' 8"	11"	5-9/16"	9-1/2"	1"	1/2"	1-1/2"	1/2"	225
	- 60	5' 8"	11"	5-9/16"	9-1/2"	1"	1/2"	1-1/2"	1/2"	255
	- 72	6' 8"	11"	5-9/16"	9-1/2"	1"	1/2"	1-1/2"	1/2"	285
	- 84	7' 8"	11"	5-9/16"	9-1/2"	1"	1/2"	1-1/2"	1/2"	315
- 96	8' 8"	11"	5-9/16"	9-1/2"	1"	1/2"	1-1/2"	1/2"	345	
D	- 36	3' 8"	12-1/2"	6-5/8"	10"	1-1/4"	3/4"	2"	1/2"	345
	- 48	4' 8"	12-1/2"	6-5/8"	10"	1-1/4"	3/4"	2"	1/2"	390
	- 60	5' 8"	12-1/2"	6-5/8"	10"	1-1/4"	3/4"	2"	1/2"	435
	- 72	6' 8"	12-1/2"	6-5/8"	10"	1-1/4"	3/4"	2"	1/2"	480
	- 84	7' 8"	12-1/2"	6-5/8"	10"	1-1/4"	3/4"	2"	1/2"	525
- 96	8' 8"	12-1/2"	6-5/8"	10"	1-1/4"	3/4"	2"	1/2"	570	
F	- 36	4'-1"	15"	8-5/8"	14-1/2"	1-1/2"	1"	3"	3/4"	570
	- 48	5'-1"	15"	8-5/8"	14-1/2"	1-1/2"	1"	3"	3/4"	640
	- 60	6'-1"	15"	8-5/8"	14-1/2"	1-1/2"	1"	3"	3/4"	710
	- 72	7'-1"	15"	8-5/8"	14-1/2"	1-1/2"	1"	3"	3/4"	780
	- 84	8'-1"	15"	8-5/8"	14-1/2"	1-1/2"	1"	3"	3/4"	850
	- 96	9'-1"	15"	8-5/8"	14-1/2"	1-1/2"	1"	3"	3/4"	920
	-108	10'-1"	15"	8-5/8"	14-1/2"	1-1/2"	1"	3"	3/4"	990
-120	11'-1"	15"	8-5/8"	14-1/2"	1-1/2"	1"	3"	3/4"	1060	
H	- 36	4'-3"	17-1/2"	10-3/4"	15-1/2"	2"	1-1/4"	3"	1"	750
	- 48	5'-3"	17-1/2"	10-3/4"	15-1/2"	2"	1-1/4"	3"	1"	900
	- 60	6'-3"	17-1/2"	10-3/4"	15-1/2"	2"	1-1/4"	3"	1"	1050
	- 72	7'-3"	17-1/2"	10-3/4"	15-1/2"	2"	1-1/4"	4"	1"	1200
	- 84	8'-3"	17-1/2"	10-3/4"	15-1/2"	2"	1-1/4"	4"	1"	1350
	- 96	9'-3"	17-1/2"	10-3/4"	15-1/2"	2"	1-1/4"	4"	1"	1500
-108	10'-3"	17-1/2"	10-3/4"	15-1/2"	2"	1-1/4"	4"	1"	1650	
-120	11'-3"	17-1/2"	10-3/4"	15-1/2"	2"	1-1/4"	4"	1"	1800	
K	- 72	7'-4-1/2"	20-1/2"	12-3/4"	17"	3"	1-1/2"	4"	1"	1385
	- 84	8'-4-1/2"	20-1/2"	12-3/4"	17"	3"	1-1/2"	4"	1"	1540
	- 96	9'-4-1/2"	20-1/2"	12-3/4"	17"	3"	1-1/2"	4"	1"	1685
	-108	10'-4-1/2"	20-1/2"	12-3/4"	17"	3"	1-1/2"	4"	1"	1835
-120	11'-4-1/2"	20-1/2"	12-3/4"	17"	3"	1-1/2"	4"	1"	1990	
L	- 84	8'-7"	23"	14"	21"	3-1/2"	2"	4"	1"	1850
	- 96	9'-7"	23"	14"	21"	3-1/2"	2"	5"	1"	2020
	- 108	10'-7"	23"	14"	21"	3-1/2"	2"	5"	1"	2195
	- 120	11'-7"	23"	14"	21"	3-1/2"	2"	5"	1"	2360
	- 144	12'-7"	23"	14"	21"	3-1/2"	2"	5"	1"	2535