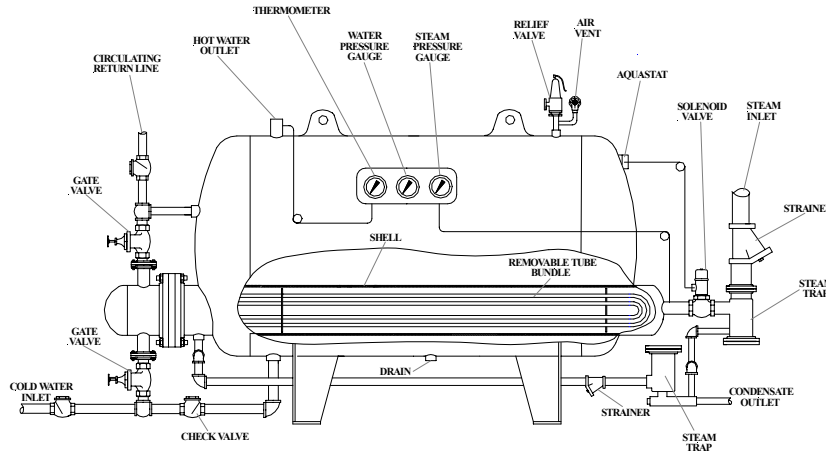


Hot Water Generator Series "ASH-H"

U.S. PATENT NUMBER 6,101,984

ACTUAL LOCATION OF ACCESSORIES
IS PROVIDED BY CERTIFIED DRAWING
UPON RECEIPT OF ORDER.



	STORAGE TANK	HEAT EXCHANGER
MATERIALS	316L STAINLESS STEEL	316L STAINLESS STEEL
DESIGN PRESSURE	125 psig	150 psig
DESIGN TEMPERATURE	400 F	400 F

The Alstrom Compact Water Heater combines the advantages of both instantaneous and storage heaters. The package is constructed from a horizontal storage tank and a built-in shell & tube heat exchanger. Steam, hot water or heat transfer fluid passes through the shell

of the heat exchanger. City water is heated by forced convection in the tubes of the heat exchanger and enters the storage tank. When the consumption of hot water stops, the heat losses are compensated by natural convection heat transfer between the external surface of the heat exchanger's shell and stored water. In addition, the heated water is circulating between the heat exchanger and the storage tank by natural convection, **eliminating the need for recirculating pump**. This system's design permits **fast cleaning, repair and replacement of the tube bundle without draining the water from the tank**. The storage tank is already full of **heated water that is available to the user during the shutdown**. Unique features of this system **reduce it's price and maintenance expenses while making it more reliable**. Model "ASH-H" stores water at 140 deg. F (other storage temperatures are optional). A small tank with a large heat transfer section is used as a semi-instantaneous heater. A large tank with a small heat transfer section will serve as a storage heater.

HORIZONTAL STORAGE TANK DIMENSIONS, INCHES

TANK SIZE	STORAGE CAPACITY IN GALLONS	TANK DIAMETER	TANK OVERALL LENGTH	SIZE OF WATER INLET & OUTLET	TANK SIZE	STORAGE CAPACITY IN GALLONS	TANK DIAMETER	TANK OVERALL LENGTH	SIZE OF WATER INLET & OUTLET	TANK SIZE	STORAGE CAPACITY IN GALLONS	TANK DIAMETER	TANK OVERALL LENGTH	SIZE OF WATER INLET & OUTLET
1ASH-H	170	30	84	1- 1/2	9ASH-H	600	42	132	2- 1/2	17ASH-H	1600	60	168	4
2ASH-H	205	30	96	1- 1/2	10ASH-H	680	48	120	2- 1/2	18ASH-H	1900	60	192	4
3ASH-H	240	30	108	1- 1/2	11ASH-H	770	48	132	2- 1/2	19ASH-H	1980	72	144	4
4ASH-H	284	36	96	1- 1/2	12ASH-H	865	48	144	3	20ASH-H	2400	72	164	4
5ASH-H	338	36	108	2	13ASH-H	1050	48	168	3	21ASH-H	2820	72	192	5
6ASH-H	392	36	120	2	14ASH-H	1235	48	192	3	22ASH-H	3150	84	168	5
7ASH-H	460	42	108	2	15ASH-H	1000	60	120	4	23ASH-H	4070	96	168	5
8ASH-H	530	42	120	2- 1/2	16ASH-H	1300	60	144	4	CUSTOM				