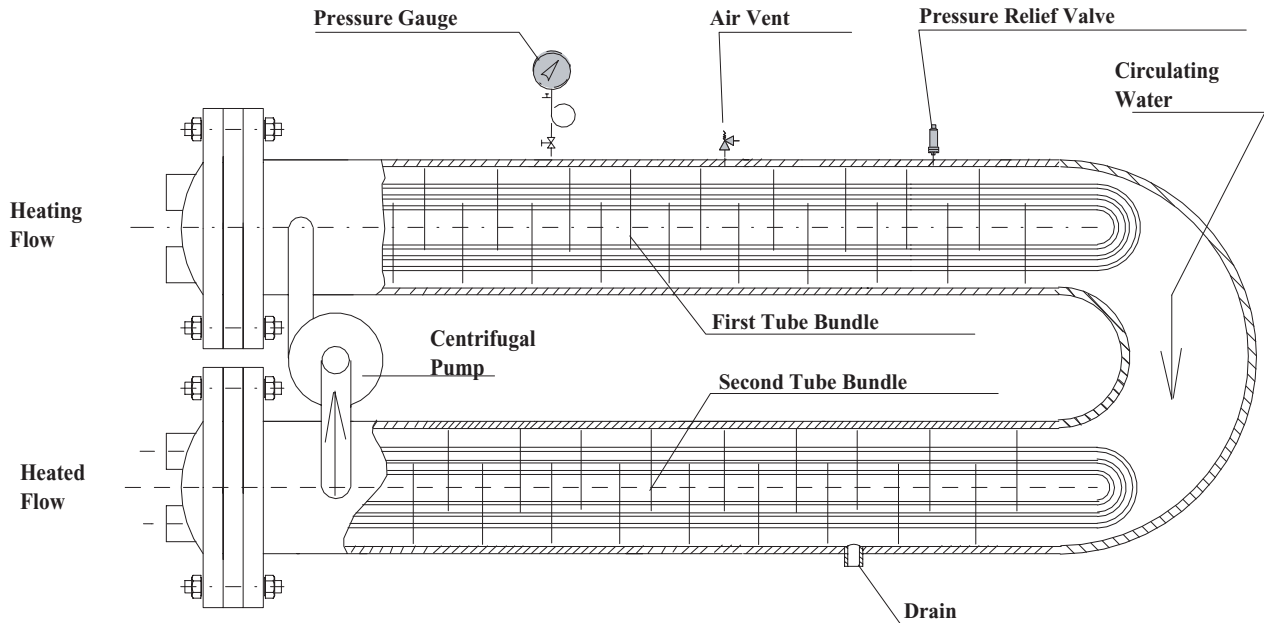


Alstrom Non-Contaminating Heaters Series "ABX-DTB"

Us Patent Worldwide Patent Pending

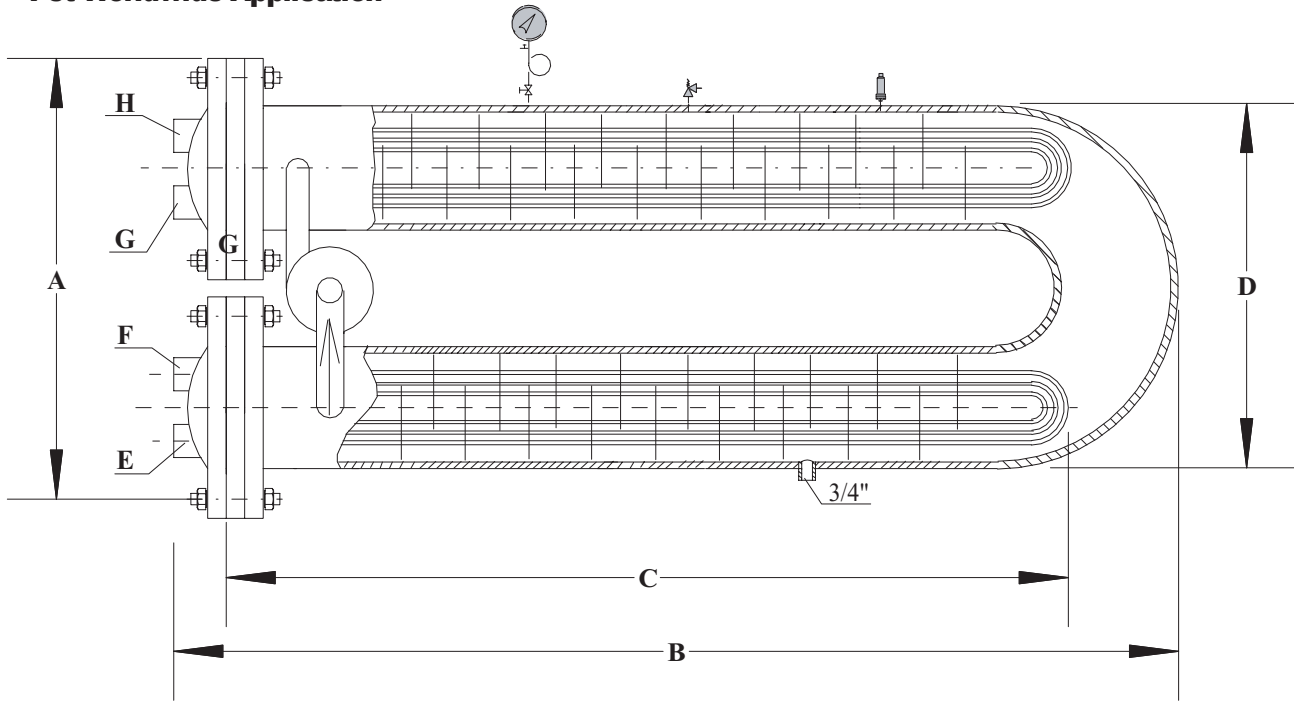
<p>Typical Applications</p> <p>Domestic Water Heater Process heat transfer</p>	<p>To have the capacity to heat _____ gpm of _____ from _____ F to _____ F using _____ gpm _____, entering at _____ F</p>
<p>Prevents liquid contamination Easy removal of tube bundles Wide selection of tube materials Unaffected by thermal expansion</p>	<p>Unit to be constructed in accordance with ASME requirements. ASME Stamp is (not) required.</p> <p>Unit to have no more than _____ ft. of length and _____ psi pressure drop of heating liquid and _____ psi pressure drop of heated liquid</p>



Alstrom Non-Contaminating Heaters Series "ABX-DTB" provide heat transfer between two flows via the intermediate third flow. The hot liquid or gas passes through the tubes of the first tube bundle, while the heated flow passes through the tubes of the second tube bundle. Low pressure water or other liquid is circulated in the shell by a centrifugal pump, transferring heat energy from the hot flow to the cold flow. If the heating or heated flow leaks to the shell, the pressure gauge installed in the shell will show a rise in pressure indicating the necessity for repair. When the shell side pressure equals the pressure of flow in a leaking tube bundle, the leak will be stopped, giving the maintenance personnel an opportunity to order and install a replacement tube bundle without the interruption of service. The contamination of the heating and heated flows is totally eliminated. Since heating and heated flows are located in the tubes, "ABX-DTB" heaters will be especially effective when the heat transfer occurs between high pressure or highly corrosive flows by eliminating an expensive shell. Each tube bundle can be fabricated from different tube diameters and materials, with different numbers of passes, as is best suited to the working pressure and corrosivity of flow and intensity of heat transfer. The centrifugal pump operation can be a part of a control system.

**Alstrom Non-Contaminating Heaters
Series "ABX-DTB"**

Pct Worldwide Application



Dimensions In Inches

A	B	C	D	E	F	G	H

Pump Data

Model	Power Hp	Phase	Voltage Volt	Flow Rate Gpm	Special Requirements

The actual dimensions of the heaters depend on performance and maximum length requirements. The heaters are designed and fabricated per order. The certified drawings are available for customers' approval.

* - All Heat Exchangers are designed and manufactured according to ASME Code, Section VIII, Div.1. ASME U-1 Form, Stamp, and N.B. Number are provided upon request for an additional cost.

* - The heaters have a 1-year guarantee against failure caused by materials or workmanship, but not against gasket failure or damage caused by corrosion, water hammer, excessive pressure or temperature.